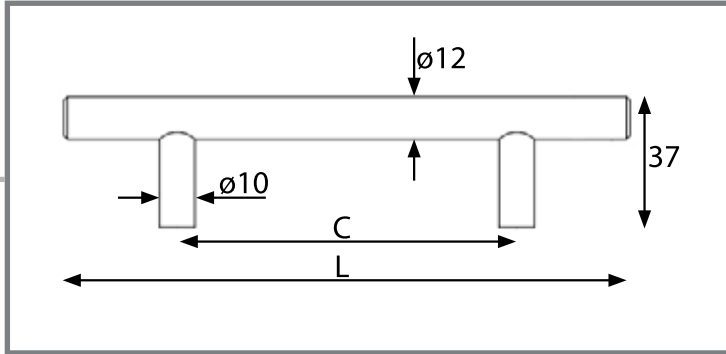


ALUMINUM PULLS

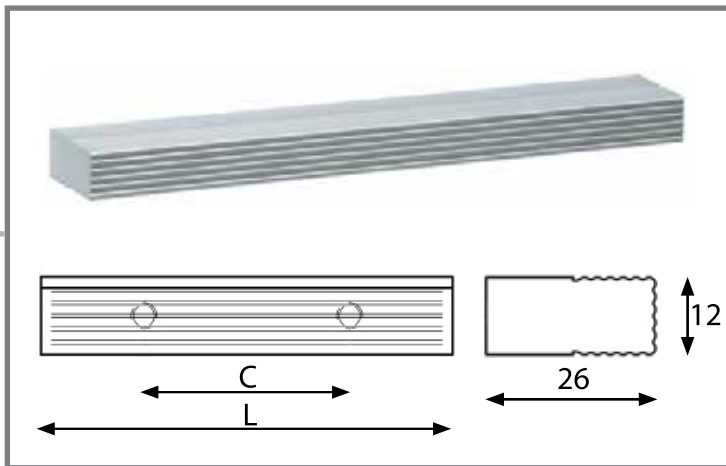
21010 Bar Pulls



Ref. No.	C mm	L mm	L inches	Box
21010-99	96	160	6-5/16	25
21011-99	128	192	7-9/16	25
21012-99	160	224	8-13/16	10
21013-99	192	256	10-1/16	10
21014-99	224	288	11-5/16	10
21015-99	320	384	15-1/8	10

Fasteners included: M4 x 25mm • Solid Anodized Aluminum with a satin finish

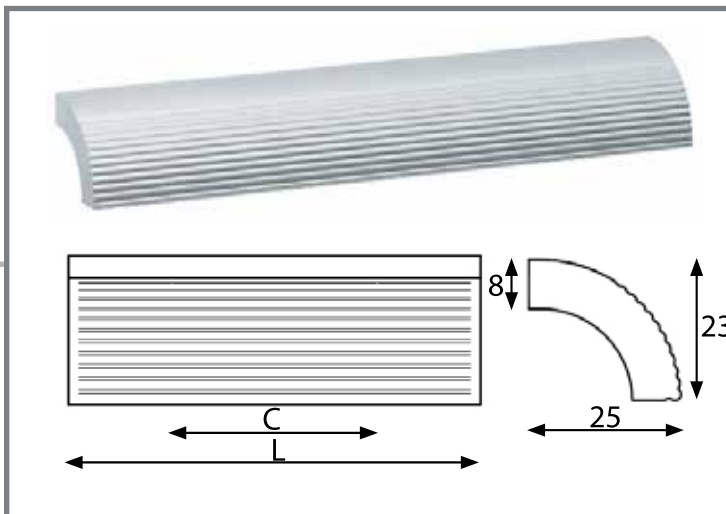
21020 Rectangular Ribbed Pulls



Ref. No.	C mm	L mm	L inches	Box
21020-99	16	32	1-1/4	25
21021-99	64	96	3-3/4	25
21022-99	96	128	5-1/16	25
21023-99	128	160	6-5/16	25
21024-99	160	192	7-9/16	10
21025-99	192	224	8-13/16	10
21026-99	224	256	10-1/16	10
21027-99	320	352	13-7/8	10
21029-99	512	544	21-7/16	10

Fasteners included: M4 x 25mm • Solid Anodized Aluminum with a satin finish

21030 Curved Ribbed Pulls



Ref. No.	C mm	L mm	L inches	Box
21030-99	16	32	1-1/4	25
21031-99	64	96	3-3/4	25
21032-99	96	128	5-1/16	25
21033-99	128	160	6-5/16	25
21034-99	160	192	7-9/16	10
21035-99	192	224	8-13/16	10
21036-99	224	256	10-1/16	10
21037-99	320	352	13-7/8	10
21039-99	512	544	21-7/16	10

Fasteners included: M4 x 25mm • Solid Anodized Aluminum with a satin finish