



Tambour Door Kits

A functional design element, Tambour doors allow for efficient storage in small or awkward spaces such as corner cabinets.

Add European style, create space and conceal clutter in kitchen, bath, or furniture designs.

Made-to-order kits are delivered pre-assembled as a convenient easy-to-install cartridge system.



Discover the Design Possibilities!



For Orders and Quotations, please use the Order form on the back



Order Form

Tambour Cabinet Doors

 ORDER

 QUOTATION

Date:	Contact:
Company Name:	P.O. No.:
Address:	E.T.A.:
	Delivery Date:
City/Prov-State:	Date Required:
Phone:	Email:

25mm/ 1" slats

Tambour assembled - plug-in unit ready to fit into cabinet

- No machining or special grooving of cabinet required
- Includes top cover profile and 2 side guiding profiles
- For vertical or horizontal application



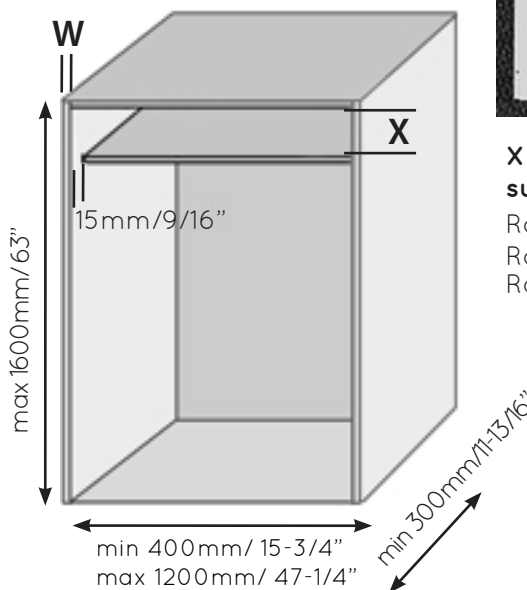
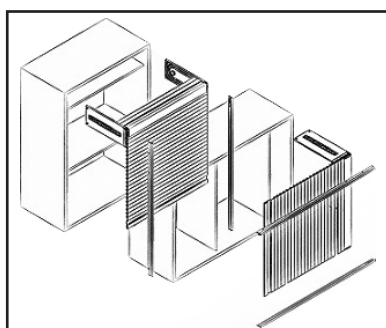
Up to height		Roll-up type	Quantity
650mm / 25-9/16"	anodized aluminum	A	
	stainless steel effect	A	
1200mm / 47-1/4"	anodized aluminum	B	
	stainless steel effect	B	
1600 mm / 63"	anodized aluminum	C	
	stainless steel effect	C	



Exterior cabinet measurements:

Height = _____ mm

Width = _____ mm



X: Distance between top & supporting shelf

Roll-up type A = 102mm/4"

Roll-up type B = 122mm/4-13/16"

Roll-up type C = 135mm/5-5/16"

 W = 16mm / 5/8"

 W = 19mm / 3/4"

 with supplied handle

 with integrated handle strip profile (recessed groove in profile - no handle required)