

Looking to add style, create space or conceal clutter in your kitchen, bath, or furniture design? Tambour Door Kits from Dekkor add European style with quiet, smooth operation. Our made-to-order door kits are delivered pre-assembled in a convenient easy-to-install cartridge system.

Cabinets with tambour doors allow for efficient storage even in small or awkward spaces such as corner cabinets. A tambour door is a functional design element and an ideal way to close off storage compartments and give full access to cabinet contents without doors opening into the work area.



Use this practical design trend in contemporary style for kitchens, baths and home furnishings. Even if space-saving is not a concern in your project, tambour doors offer a sleek, functional transformation to any space.



Use the form on the back to get a quote or order a Dekkor tambour door and discover the limitless design possibilities of tambour doors as a space-saving, stylish solution for horizontal or vertical openings.



Order Form

Tambour Cabinet Doors

 ORDER

 QUOTATION

Date:	Contact:
Company Name:	P.O. No.:
Address:	E.T.A.:
	Delivery Date:
City/Prov-State:	Date Required:
Phone:	Email:
Fax:	Signature:

25mm (1 inch) slats

Tambour assembled - plug-in unit ready to fit into cabinet

No machining or special grooving of cabinet required

Includes top cover profile and 2 side guiding profiles

For vertical or horizontal application



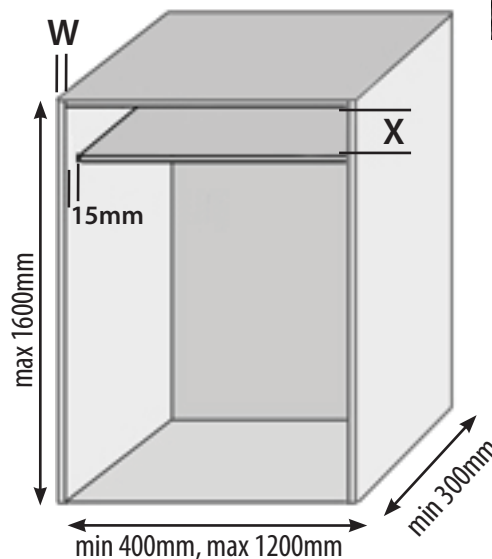
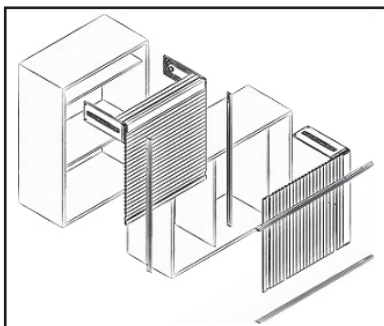
Up to height		Roll-up type	Quantity
650mm	anodized aluminum	A	
	stainless steel effect	A	
1200 mm	anodized aluminum	B	
	stainless steel effect	B	
1600 mm	anodized aluminum	C	
	stainless steel effect	C	



Exterior cabinet measures:

Height = _____ mm

Width = _____ mm



X: Distance between top & supporting shelf

Roll-up type A = 102mm

Roll-up type B = 122mm

Roll-up type C = 135mm

 W = 16mm

 W = 19mm

 with supplied handle

 with integrated handle strip profile (recessed groove in profile - no handle required)