



### Dear Customer

With the purchase of this Tambour Cabinet Door you have chosen a quality product custom made for you. Make yourself familiar with the product and its accessories before you start the assembly.

This instruction describes the mounting and handling of the DEKKOR tambour cabinet door.

Please read through this manual carefully and follow all security advice before you start the assembly.

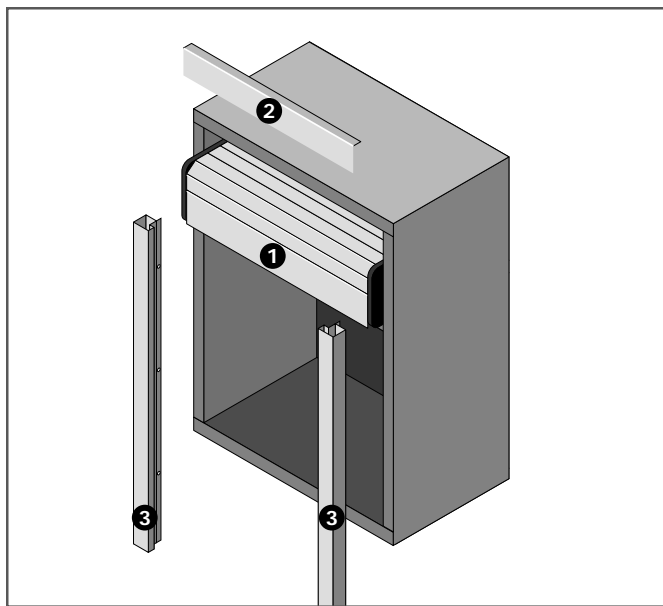
Please keep these instructions. In case of damages that occur through disregard of this manual and of the security advice the guarantee expires. We assume no liability for consequential damages that originate from this.



### Important indications

After having unpacked the goods please compare the contents of the package with the specifications regarding the scope of delivery. Please check the drive and mains cable regarding intactness. If you note damages you are not allowed to use the appliance. In this case please contact your distributor.

### Contents:



- ❶ 1x roller shutter module
- ❷ 1x cover profile
- ❸ 1x pair of guiding profiles

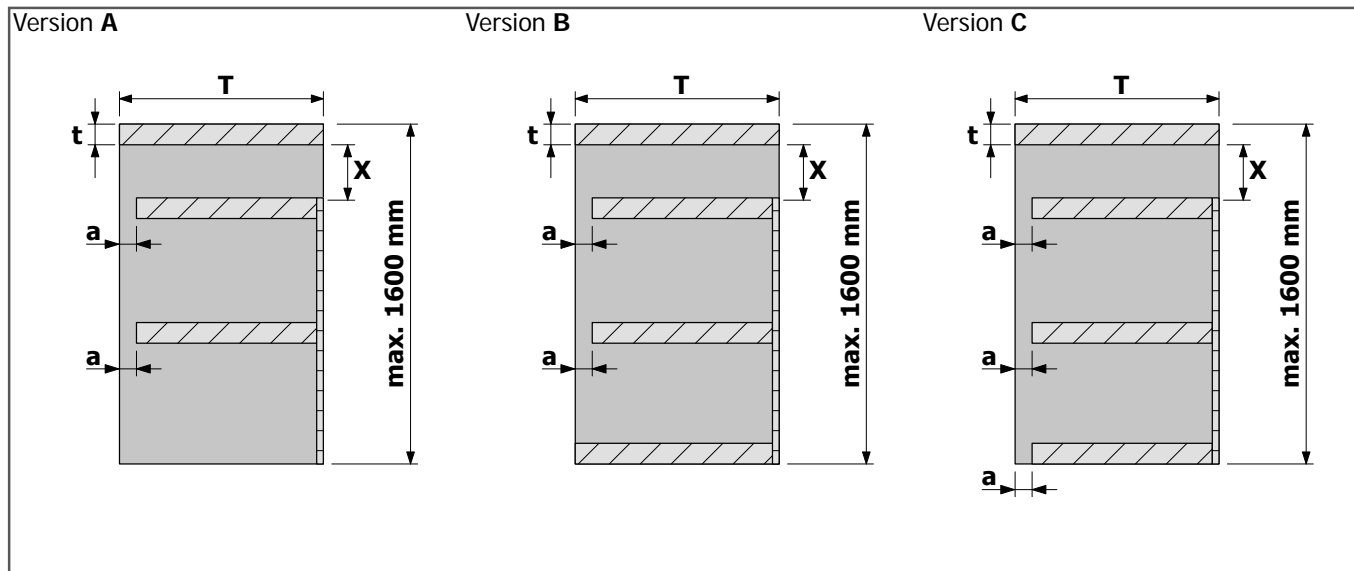
Depending on the version the guidance profiles can have one of the following profile cross sections:

Guidance profile in front thickness:	slim-line profile (internal, flush-mounted)



## Guidance profile in front thickness

## Recommended cabinet constructions for vertical operating direction



Dim. X	Roller shutter			
	smart plus KS 25 (F/L)		smart plus (in some markets) quasar	
Cabinet height	t = 16 mm	t = 19 mm	t = 16 mm	t = 19 mm
250 - 650 mm	103 mm	100 mm	---	---
651 - 1200 mm	123 mm	120 mm	---	---
1201 - 1600 mm	137 mm	134 mm	---	---
250 - 1600 mm	---	---	158 mm	155 mm

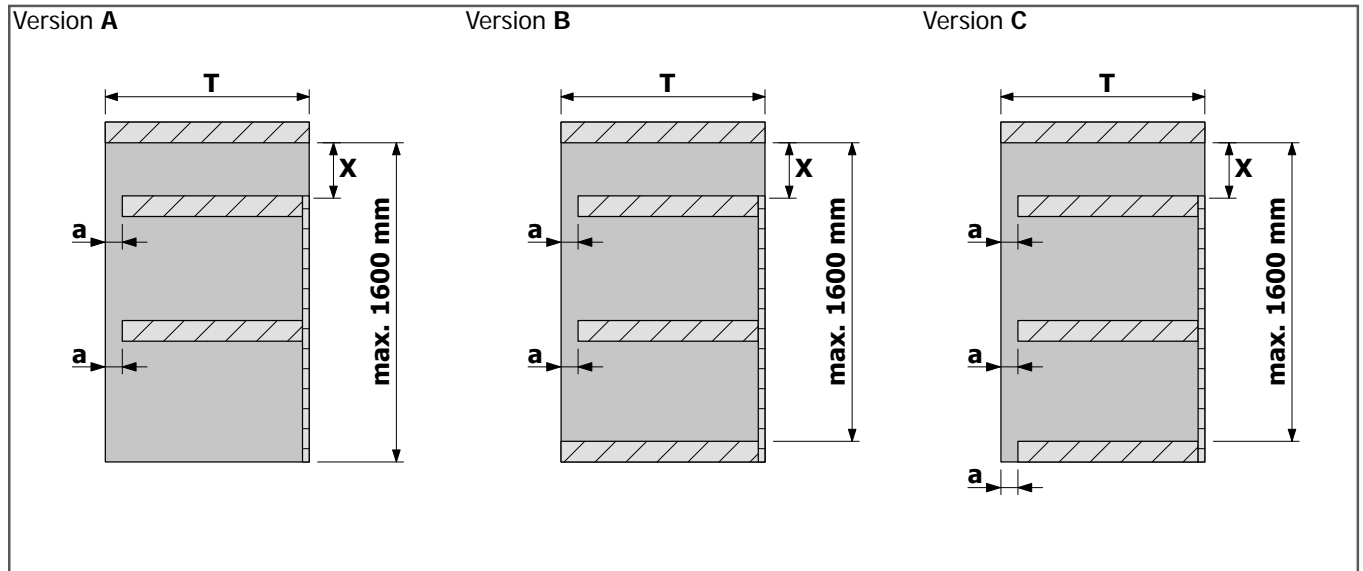
	Roller shutter			
	smart plus	smart plus (in some markets)	KS 25 (F/L)	quasar
<b>Dim. T min.</b>	300 mm	329 mm	300 mm	329 mm

	Roller shutter			
	smart plus	smart plus (in some markets)	KS 25 (F/L)	quasar
<b>Dim. a min.</b>	13 mm	13 mm	13 mm	13 mm



slim-line profile (internal, flush-mounted)

Recommended cabinet constructions for vertical operating direction



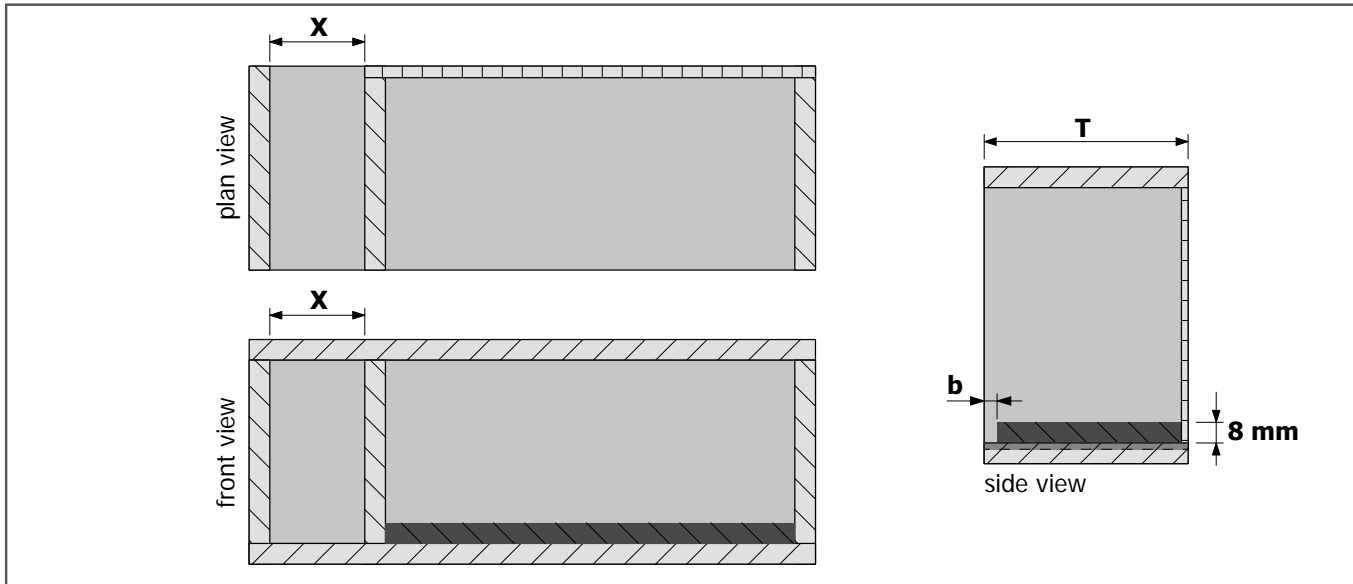
Dim. X	Roller shutter	
	smart plus KS 25 (F/L)	smart plus (in some markets) quasar
Cabinet height		
250 - 650 mm	100 mm	---
651 - 1200 mm	120 mm	---
1201 - 1600 mm	134 mm	---
250 - 1600 mm	---	155 mm

	Roller shutter			
	smart plus	smart plus (in some markets)	KS 25 (F/L)	quasar
<b>Dim. T min.</b>	315 mm	344 mm	315 mm	344 mm

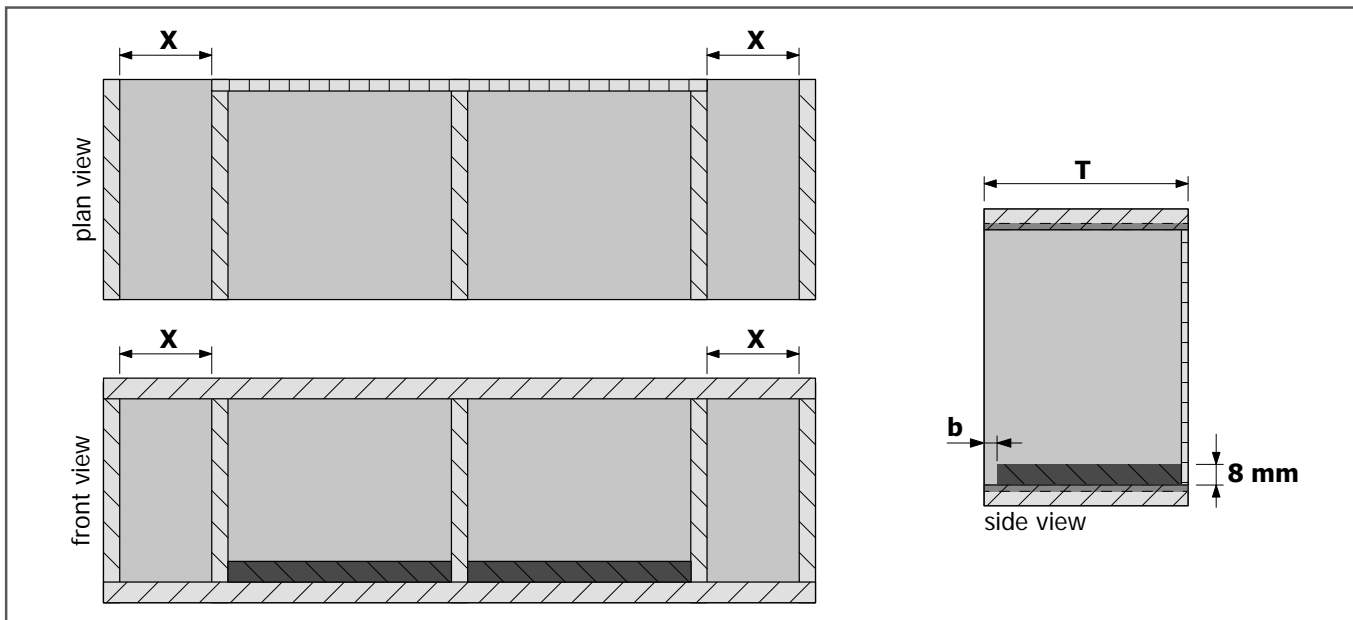
	Roller shutter			
	smart plus	smart plus (in some markets)	KS 25 (F/L)	quasar
<b>Dim. a min.</b>	30 mm	30 mm	30 mm	30 mm

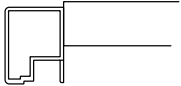



Recommended cabinet constructions for one-sided horizontal operating direction



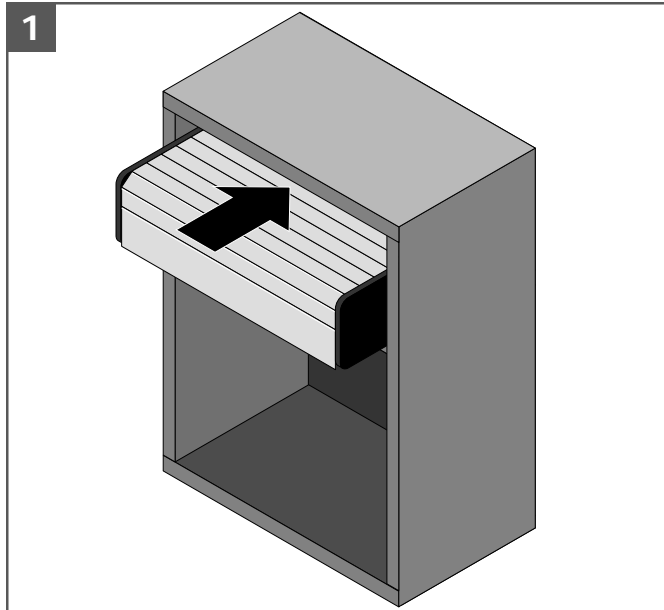
Recommended cabinet constructions for two-sided horizontal operating direction



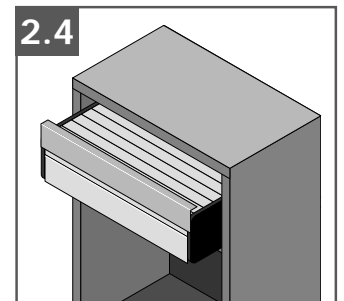
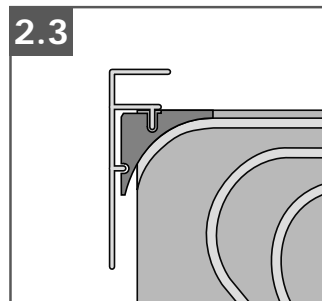
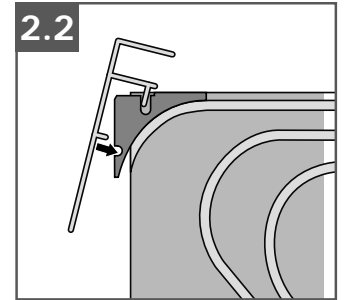
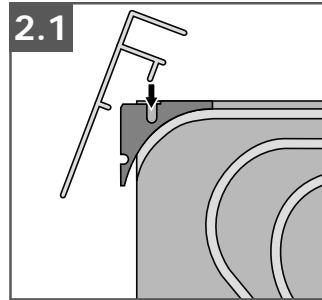
	Roller shutter			
	smart plus	smart plus (in some markets)	KS 25 (F/L)	quasar
<b>Dim. b min.</b>	2 mm	2 mm	2 mm	2 mm

	Roller shutter			
	smart plus	smart plus (in some markets)	KS 25 (F/L)	quasar
<b>Dim. b min.</b>	17 mm	17 mm	17 mm	17 mm

### Attaching the cover profile

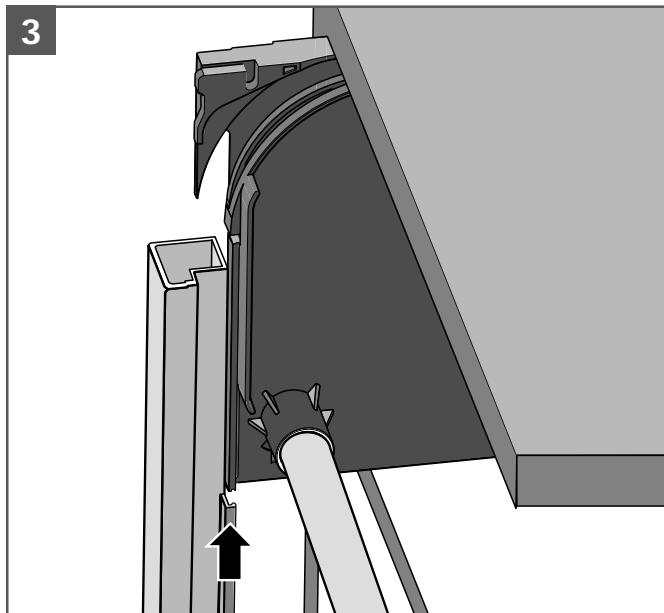


Push the tambour case halfway into the cabinet

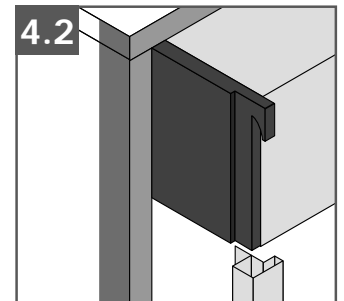


Clips the cover onto the plastic side parts of the unit

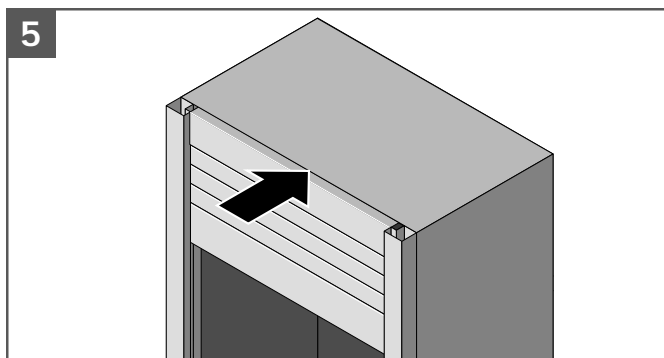
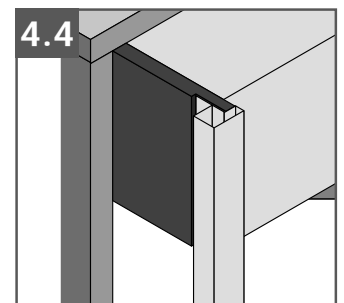
### Connecting the guidance profile with the module



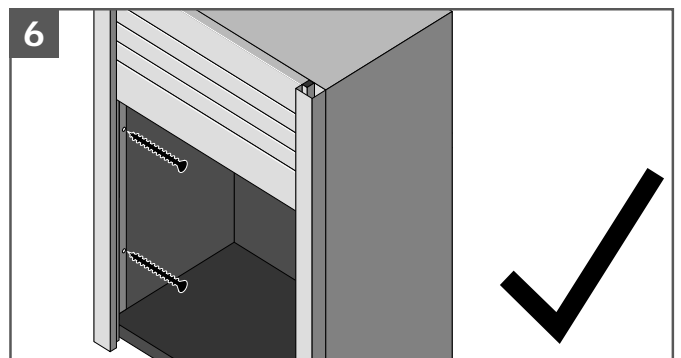
Apply the guidance profile onto the plastic side bracket



The shapes fit together



Push in the tambour case entirely

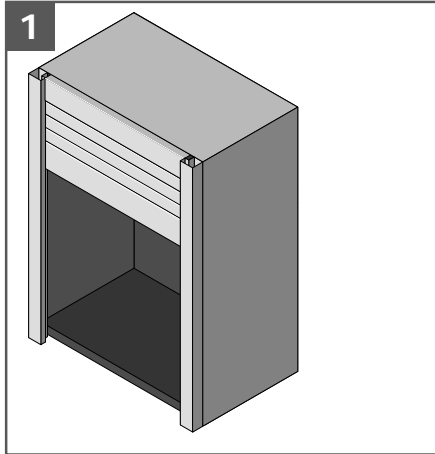


Screw on the guidance profiles

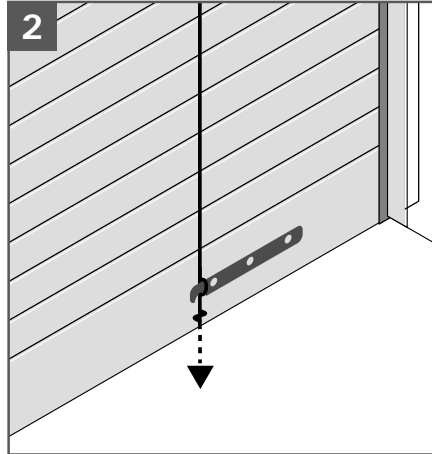


## Set the tension of the spring

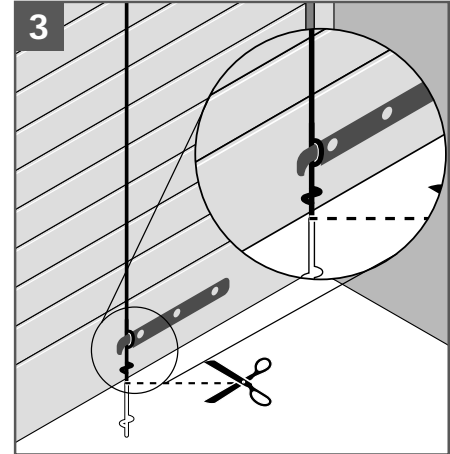
## Version 1



1 Move the roller shutter slightly down

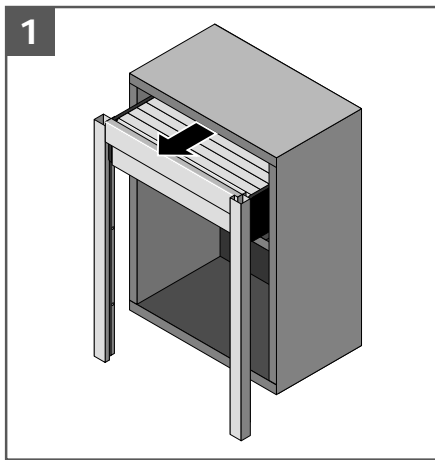


2 Remove the traction rope from the suspension and pull the rope

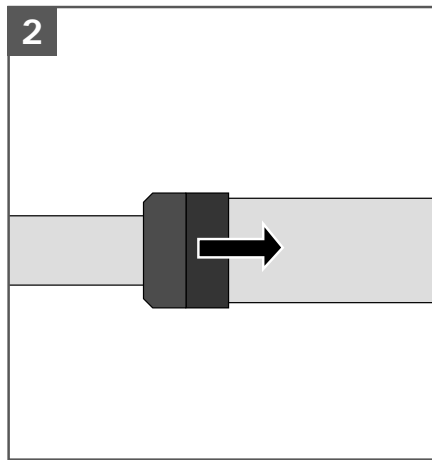


3 Tie a new knot in the rope and fit it around the suspension

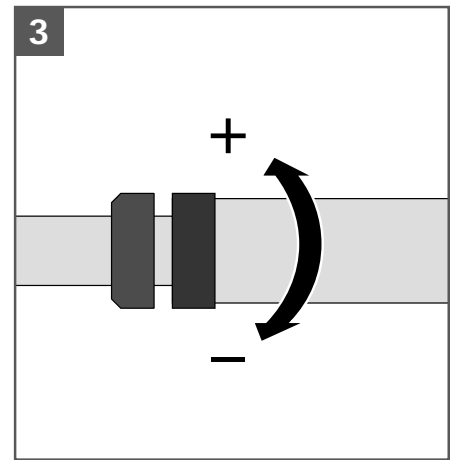
## Version 2



1 Tambour case pulled out half way



2 Press the tension ring to the middle



3 Turn the tension ring

## Error correction

Error	Possible cause	Trouble shooting
Noticeable running noise of the roller shutter	Cover profile touches the roller shutter	Clip the cover profile securely on both plastic side parts  Check the position of the cover profile: it must not be affected by overhanging shapes of the carcass.
	Module is not fitted tightly within the carcass	The guidance profiles are not pushed onto the side brackets. Push the profiles on as shown before and therewith secure the complete unit.