

Date:	Contact:
Company Name:	P.O. No.:
Address:	E.T.A.:
	Delivery Date:
City/Prov-State:	Date Required:
Phone:	Email:

25mm/ 1" slats

Tambour assembled - plug-in unit ready to fit into cabinet

- No machining or special grooving of cabinet required
- Includes top cover profile and 2 side guiding profiles
- For vertical or horizontal application



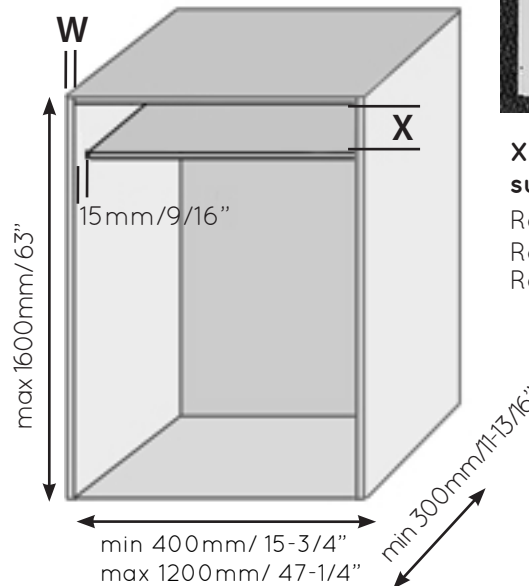
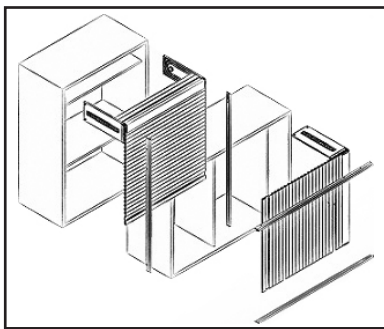
Up to height		Roll-up type	Quantity
650mm / 25-9/16"	anodized aluminum	A	
	stainless steel effect	A	
1200mm / 47-1/4"	anodized aluminum	B	
	stainless steel effect	B	
1600 mm / 63"	anodized aluminum	C	
	stainless steel effect	C	



Exterior cabinet measurements:

Height = _____ mm

Width = _____ mm



X: Distance between top & supporting shelf

Roll-up type A = 102mm/4"

Roll-up type B = 122mm/4-13/16"

Roll-up type C = 135mm/5-5/16"

W = 16mm / 5/8"

W = 19mm / 3/4"

with supplied handle

with integrated handle strip profile (recessed groove in profile - no handle required)